



VW T5.1 Transporter DRL Kit Fitting Instruction

PLEASE NOTE: PROFESSIONAL FITTING IS ESSENTIAL BUT IF YOU INSIST IN FITTING THESE DRL KITS YOURSELF, HERE ARE SOME STEPS/ADVICE IN ORDER TO HELP YOU FIT THEM CORRECTLY.

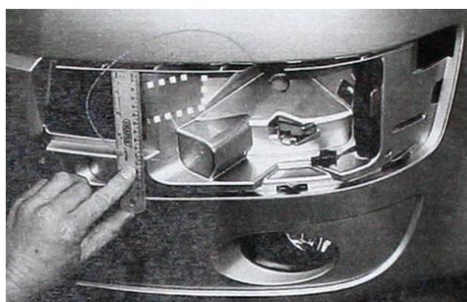


STEP 1:

Remove the LH & RH panels in the bumper. The DRL mounting Panels will replace these parts.

Note: If front PDC is installed, it will be necessary to drill out the pre-marked holes in the new panels to 18mm.

The original PDC transducer mount can be removed and remounted using an appropriate self-adhesive tape. (Not supplied)

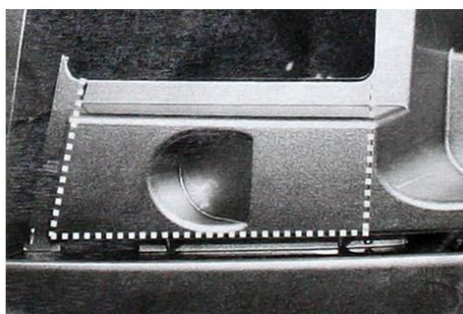


STEP 2:

It is necessary to cut out two sections behind each of the bumper panels. For the outer panels measure down 15mm & 55mm from the inner edge as shown in photograph opposite.

Refer to photograph 4 for the overall cut out area of both inner and outer sections.

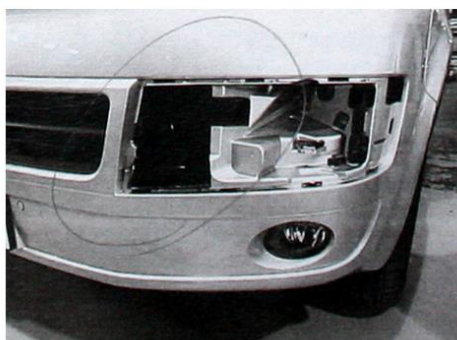
Note: These areas correspond with the rear of the DRL mouldings.



STEP 3:

For the lower sections, cut out the area shown in the photograph opposite.

Refer to photograph 4 for the overall cut out area of both inner and outer sections.



STEP 4:

Ensure the areas cut out correspond with the areas in the photograph opposite. Ensure to leave sufficient material for the clips on the DRL panels to secure onto the corresponding area of the bumper over.

If You Still Have Problems/Difficulties Fitting Your DRL Kit, Please Contact Us:
Telephone: 01782 280888 | **E-Mail:** info@van-x.co.uk | **Website:** www.van-x.co.uk



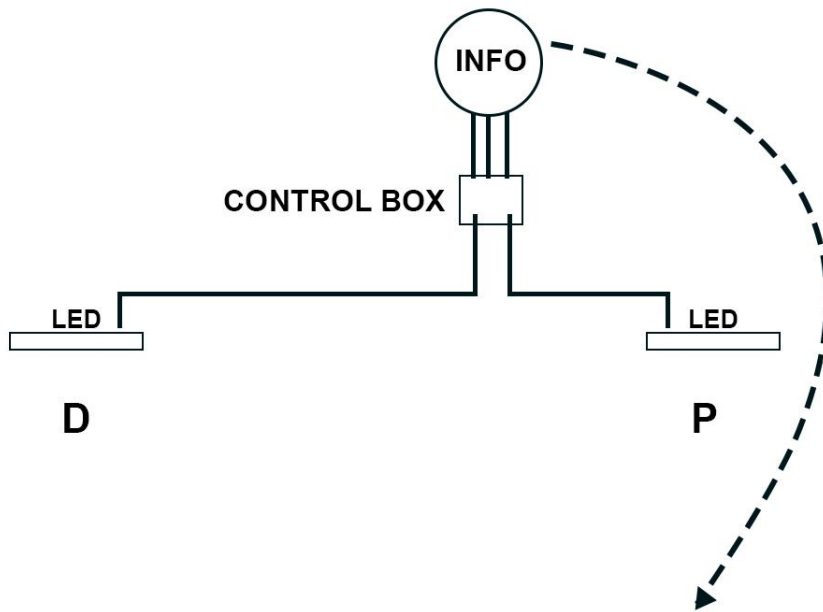
STEP 5:

Feed the wiring from the both sides of the DRL Panels alongside your bumper towards the battery connector.

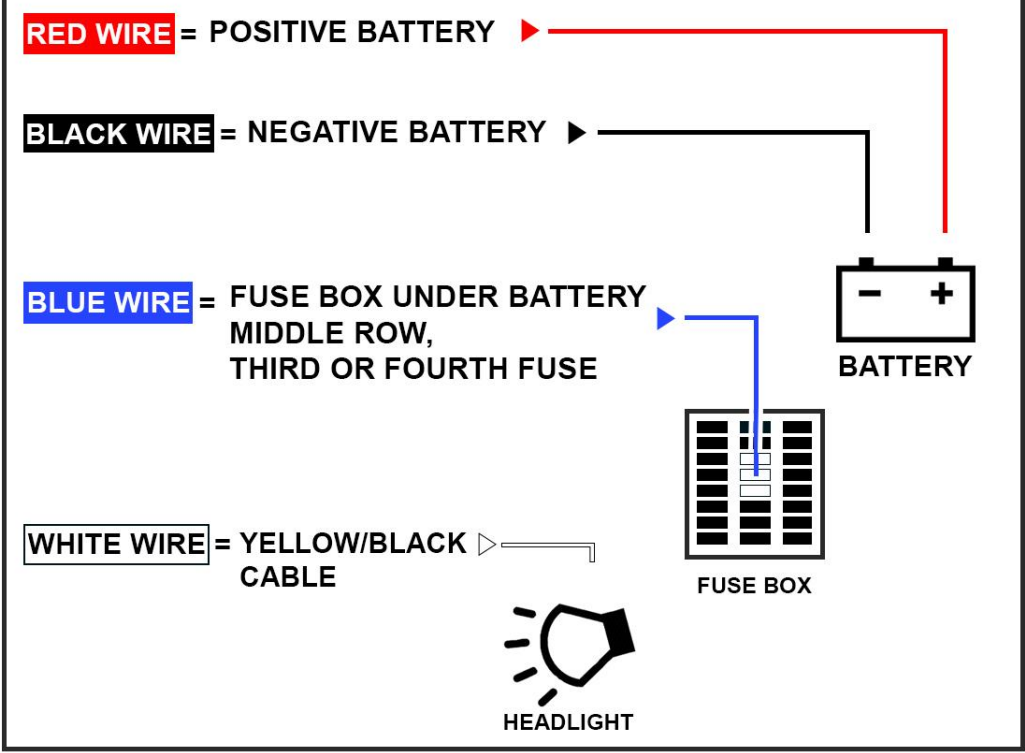
This will give power to the LED lights for both DRL panels.

PLEASE NOTE: You must use these LED lights to the wiring loom provided. Failure to comply will void your warranty.

Please see the following diagrams for further instructions



**MK I LED DRL
WIRING DIAGRAM:**



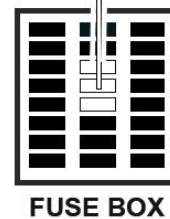
If You Still Have Problems/Difficulties Fitting Your DRL Kit, Please Contact Us:
Telephone: 01782 280888 | **E-Mail:** info@van-x.co.uk | **Website:** www.van-x.co.uk

MK II LIGHT-BAR WIRING DIAGRAM:

BLUE WIRE = NEGATIVE BATTERY

WHITE WIRE WITH RED SPLIT-FUSE = FUSE BOX UNDER BATTERY MIDDLE ROW, THIRD OR FOURTH FUSE

GREY WIRE = YELLOW/BLACK CABLE



FUSE BOX

HEADLIGHT

ATTENTION: Thank you for following these steps. These instructions have been created and prepared by our technicians connecting/fitting this kit. We believe this is the most simple and efficient method for full functionality to our DRL Kits.

However, if you have more experience, knowledge and electrical skills with wiring harnesses; you are more than welcomed to you use or find your own method in connecting this DRL kit.

You may find a suitable solution or different method but they will be your own responsibility for safety awareness and functionality to this product.

If You Still Have Problems/Difficulties Fitting Your DRL Kit, Please Contact Us:

Telephone: 01782 280888 | **E-Mail:** info@van-x.co.uk | **Website:** www.van-x.co.uk